

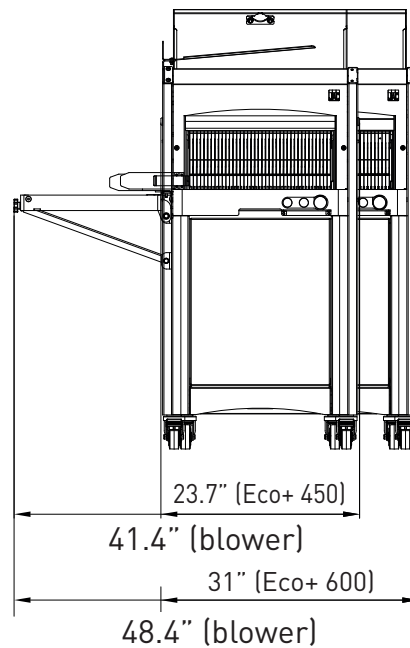
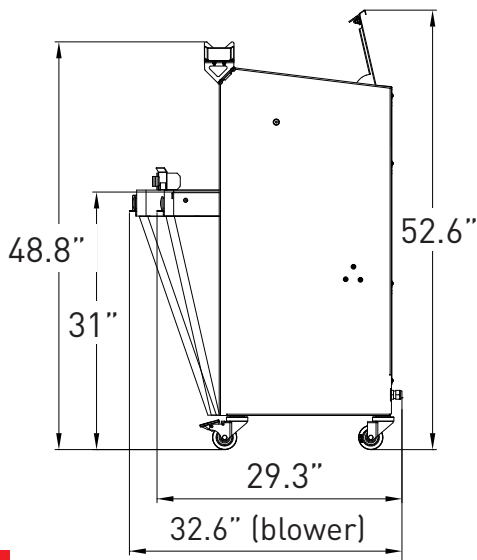


ECO+

Automatic frame slicer



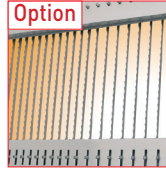
- ✓ Maximum safety thanks to the rear cover actuating the slicing process
- ✓ Removable, ergonomic crumb collector
- ✓ Automatic slicing cycle, simple to use, optimizes time management
- ✓ Sleek lines
- ✓ Silent
- ✓ 5 years parts / 1 year labor warranty



Traditionally Innovative



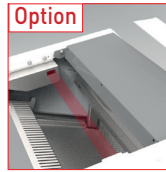
Intelligent Slicing Concept (JAC patent)
 Continuous automatic control system that slices loaves according to their consistency. This allows open textured, crusty and dense breads to be sliced with equal efficiency.



Option
Double slice thickness
 Allows two different slicing widths on the same machine



Rear safety cover
 Closing it initiates the slicing process and it opens automatically when slicing is complete.



Option
Single light beam safety
 Increased accessibility while maintaining an optimum safety level.



Removable crumb collector
 Accessible by tilting the front, cylinder-assisted door. 4.7 gallons capacity.



Option
Fold down bag blowing table
 Saves packaging time.

FEATURES	ECO+ 450	ECO+ 600
Max. loaf dimensions in in (L x W x H)	17.3" x 12.2" x 6.3"	23.6" x 12.2" x 6.3"
Motor power in kW	0.49	0.49
Type of motor	1ph/120V/60Hz/7.3A	1ph/120V/60Hz/7.3A
Net weight in lbs	364	397
Loaf pusher pressure selector	•	•

CHOICES	ECO+ 450	ECO+ 600
Slice thickness options	from 3/8" to 1 1/4"	from 3/8" to 1 1/4"

OPTIONS	ECO+ 450	ECO+ 600
Fold down bag blowing table	•	•
Optical safety barrier	•	•
Double slice thickness		•
Loaf counter	•	•